



Gamesman

# GPB1140 Push Button Product Specification

Issue 02: Date 05.01.2021



Disclaimer:

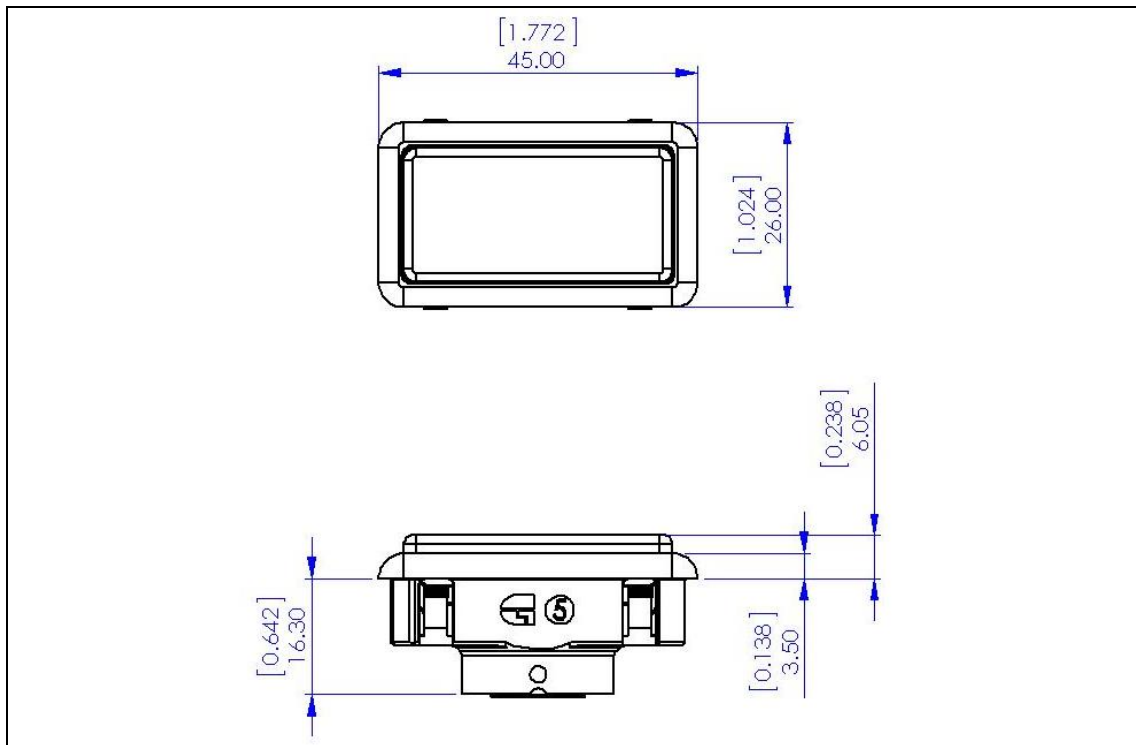
The information provided within this product specification is intended only to make the reader aware of the product's technical data and its use thereof. As such, Gamesman Ltd shall not be held liable for any loss or damage to the assembly or component within, arising from its misuse or from the unintended use of information or particulars included within, or any omission from, this document.

Design and specifications are subject to change without notice.

Failure to observe the interface requirements specified in this document may result in damage to the electronics and resultant performance characteristics of the product.

1. Product Dimensions

a) General Dimensions

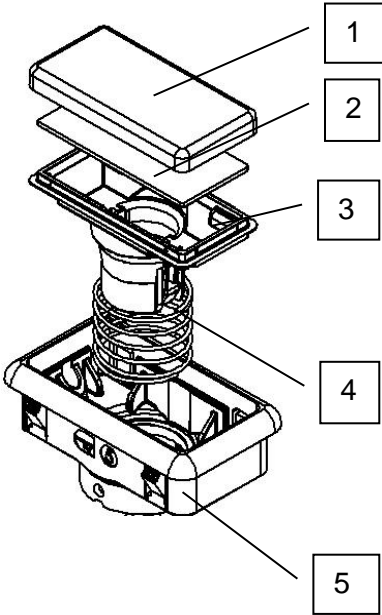


b) Insert Dimensions

c) Panel Cut out Details

<p>LEGEND INSERT</p> <p>Dimensions: [0.020] R0.50 MIN, [1.370] 34.80, [0.622] 15.80</p>	<p>PANEL THICKNESS RANGE: 1.40 TO 2.00</p> <p>PANEL CUTOUT</p> <p>Dimensions: [0.138] R3.50 (3), [1.648 ±0.002] 41.85 ±0.05, [0.900 ±0.002] 22.85 ±0.05, 3.00 [1.181] x 45° CHAMFER</p>
<p>Insert Material - Acetate sheet or similar.</p> <p>Insert Thickness – 0.20mm [0.008"] Minimum – 0.25mm [0.010"] Maximum</p>	<p>Panel thickness range:</p> <p>1.40mm [0.055"] ± 0.1mm [±0.004"] to 2.00mm [0.079"] ± 0.1mm [±0.0042]</p>



## 2. Product Identification

	No.	Part Number	Description	Material	UL94 Rating
	1	GMP01758	Lens	Polycarbonate	V2
	2	G4-751	Legend Plate	Opal Polycarbonate	V2
	3	GMP01757	Plunger	POM	HB
	4	G4-950	Spring	Spring Steel	N/A
	5	GMP01756	Bezel	Polycarbonate See Note 1.	V2

Item 5 is available in various colours, see specification sheet for the options.  
Minimum Order Quantities may apply.

## 3. Product Compatibility

### a) Switch System –

<a href="#">System U3</a>	
<a href="#">System U4</a>	

### b) [LED Solutions](#)

Please refer to the link for the latest LED Capsules supported by the switch systems listed above.



# Gamesman

GAMESMAN LTD

CROMPTON FIELDS, CROMPTON WAY, CRAWLEY, WEST SUSSEX, RH10 9QB  
TEL: +44 (0) 1293 418888 FAX: +44 (0) 1293 418880

**REGISTERED IN ENGLAND NO. 3027138**

Website: [www.gamesman.co.uk](http://www.gamesman.co.uk)

E-mail: [sales@gamesman.co.uk](mailto:sales@gamesman.co.uk)